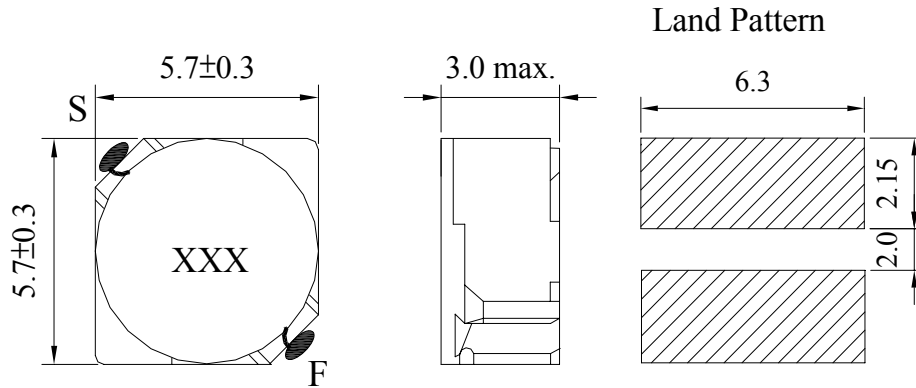




【SDRH5D28-SERIES】

DIMENSIONS & RECOMMENDED PATTERN



Unit: mm

※ FEATURES

- Applications : DC to DC converter of portable equipment, camcorder, LCD television set, digital camera, P.D.A., notebook

SELECTION GUIDE FOR STANDARD COILS

SDE Part Number	Inductance	Tolerance	DC Resistance	Inductance Decrease Current
	(μ H)	(%)	(Ω) Max	(A) Max
SDRH5D28 - 2R6N	2.6	$\pm 30\%$	0.018	2.60
SDRH5D28 - 3R0N	3.0	$\pm 30\%$	0.024	2.40
SDRH5D28 - 4R1N	4.1	$\pm 30\%$	0.031	2.20
SDRH5D28 - 4R2N	4.2	$\pm 30\%$	0.031	2.20
SDRH5D28 - 5R3N	5.3	$\pm 30\%$	0.038	1.90
SDRH5D28 - 6R2N	6.2	$\pm 30\%$	0.045	1.80
SDRH5D28 - 8R2N	8.2	$\pm 30\%$	0.053	1.60
SDRH5D28 - 100M	10.0	$\pm 20\%$	0.065	1.30
SDRH5D28 - 120M	12.0	$\pm 20\%$	0.076	1.20
SDRH5D28 - 150M	15.0	$\pm 20\%$	0.103	1.10
SDRH5D28 - 180M	18.0	$\pm 20\%$	0.110	1.00
SDRH5D28 - 220M	22.0	$\pm 20\%$	0.122	0.90
SDRH5D28 - 270M	27.0	$\pm 20\%$	0.175	0.85
SDRH5D28 - 330M	33.0	$\pm 20\%$	0.189	0.75
SDRH5D28 - 390M	39.0	$\pm 20\%$	0.212	0.70
SDRH5D28 - 470M	47.0	$\pm 20\%$	0.260	0.62
SDRH5D28 - 560M	56.0	$\pm 20\%$	0.305	0.58
SDRH5D28 - 680M	68.0	$\pm 20\%$	0.355	0.52
SDRH5D28 - 820M	82.0	$\pm 20\%$	0.463	0.46





【SDRH5D28-SERIES】

SELECTION GUIDE FOR STANDARD COILS

SDE Part Number	Inductance	Tolerance	DC Resistance	Inductance Decrease Current
	(μ H)	(%)	(Ω) Max	(A) Max
SDRH5D28 - 101M	100.0	$\pm 20\%$	0.520	0.42
SDRH5D28 - 121M	120.0	$\pm 20\%$	0.560	0.40
SDRH5D28 - 151M	150.0	$\pm 20\%$	0.680	0.35
SDRH5D28 - 181M	180.0	$\pm 20\%$	0.930	0.32
SDRH5D28 - 221M	220.0	$\pm 20\%$	1.150	0.30
SDRH5D28 - 271M	270.0	$\pm 20\%$	1.560	0.27
SDRH5D28 - 331M	330.0	$\pm 20\%$	1.980	0.25
SDRH5D28 - 391M	390.0	$\pm 20\%$	2.500	0.22
SDRH5D28 - 471M	470.0	$\pm 20\%$	2.700	0.20
SDRH5D28 - 561M	560.0	$\pm 20\%$	3.120	0.18
SDRH5D28 - 681M	680.0	$\pm 20\%$	4.150	0.16

※ GENERAL SPECIFICATION:

- a. Inductance drop =35% typ. at IDC.
- b. $\Delta T=30^{\circ}\text{C}$ rise at IDC.
- c. Operating Temperature : $-40^{\circ}\text{C} \sim +85^{\circ}\text{C}$
- d. Test Freq. : 100KHz / 0.1V.



Specifications subject to change without notice. Please check our website for latest information. Released: 2012/12/18

Danxingda Shenzhen, China Tel: 0755-61303918 Fax: 0755-83462232 Web: <http://www.mydxd.com> E-mail: lareina@mydxd.com